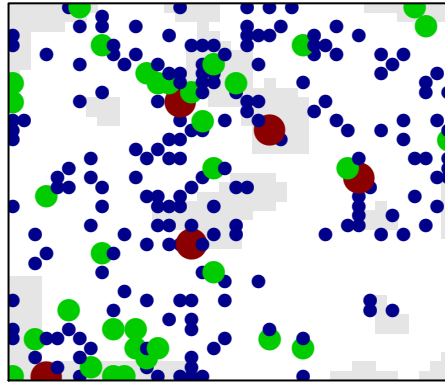
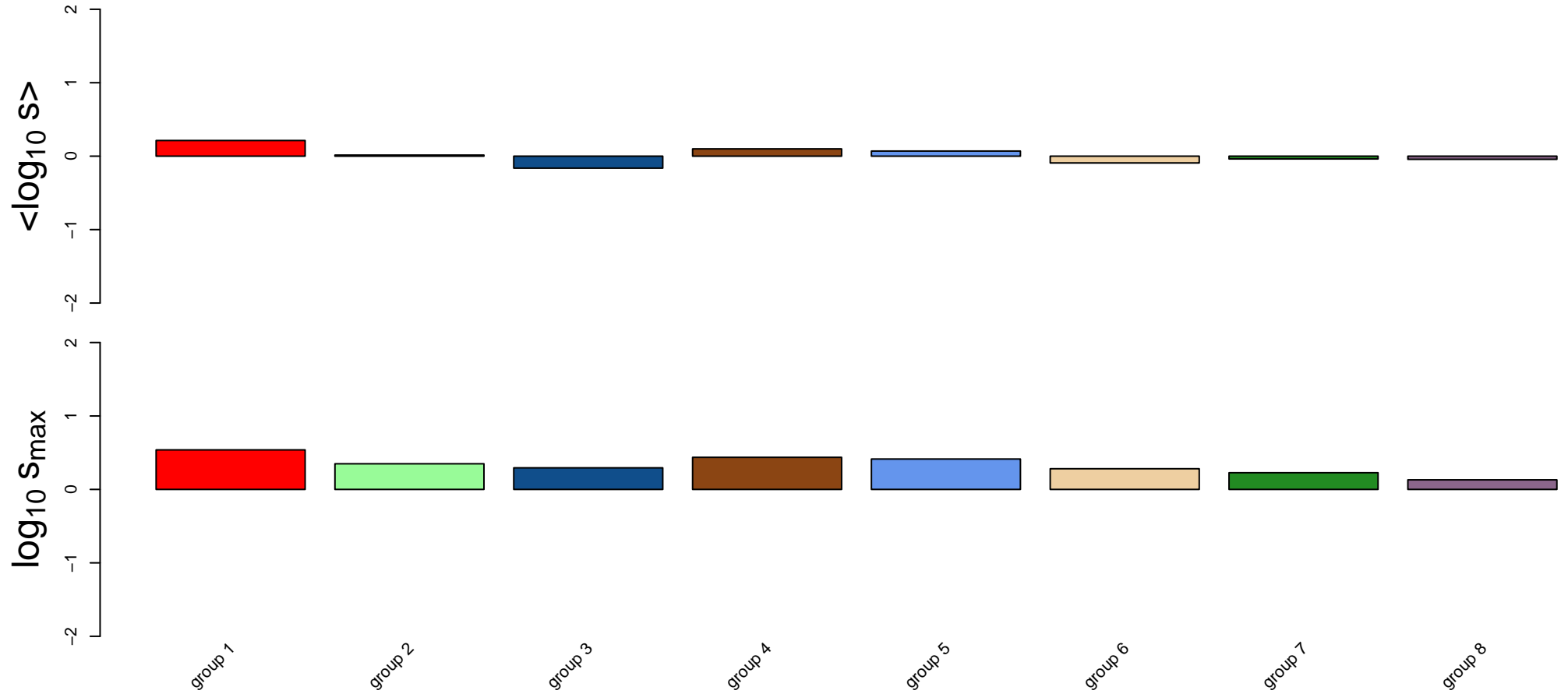
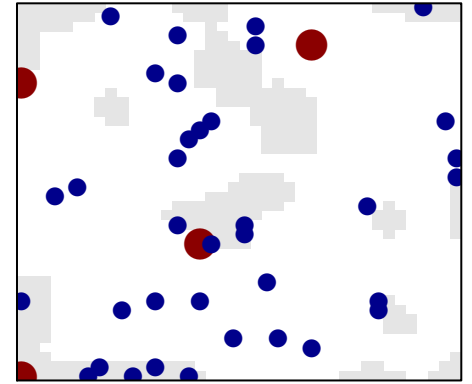


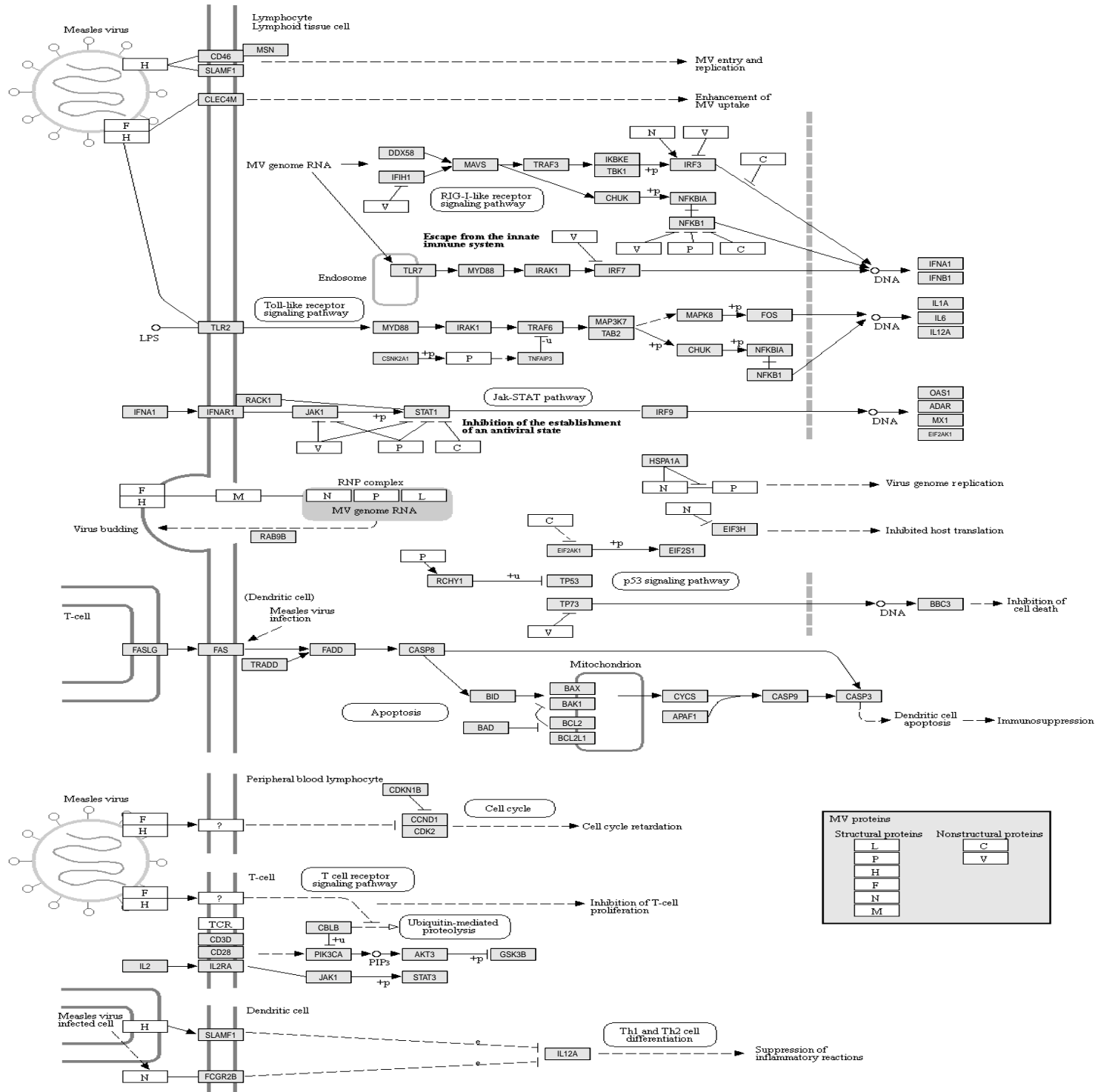
Measles

all genes

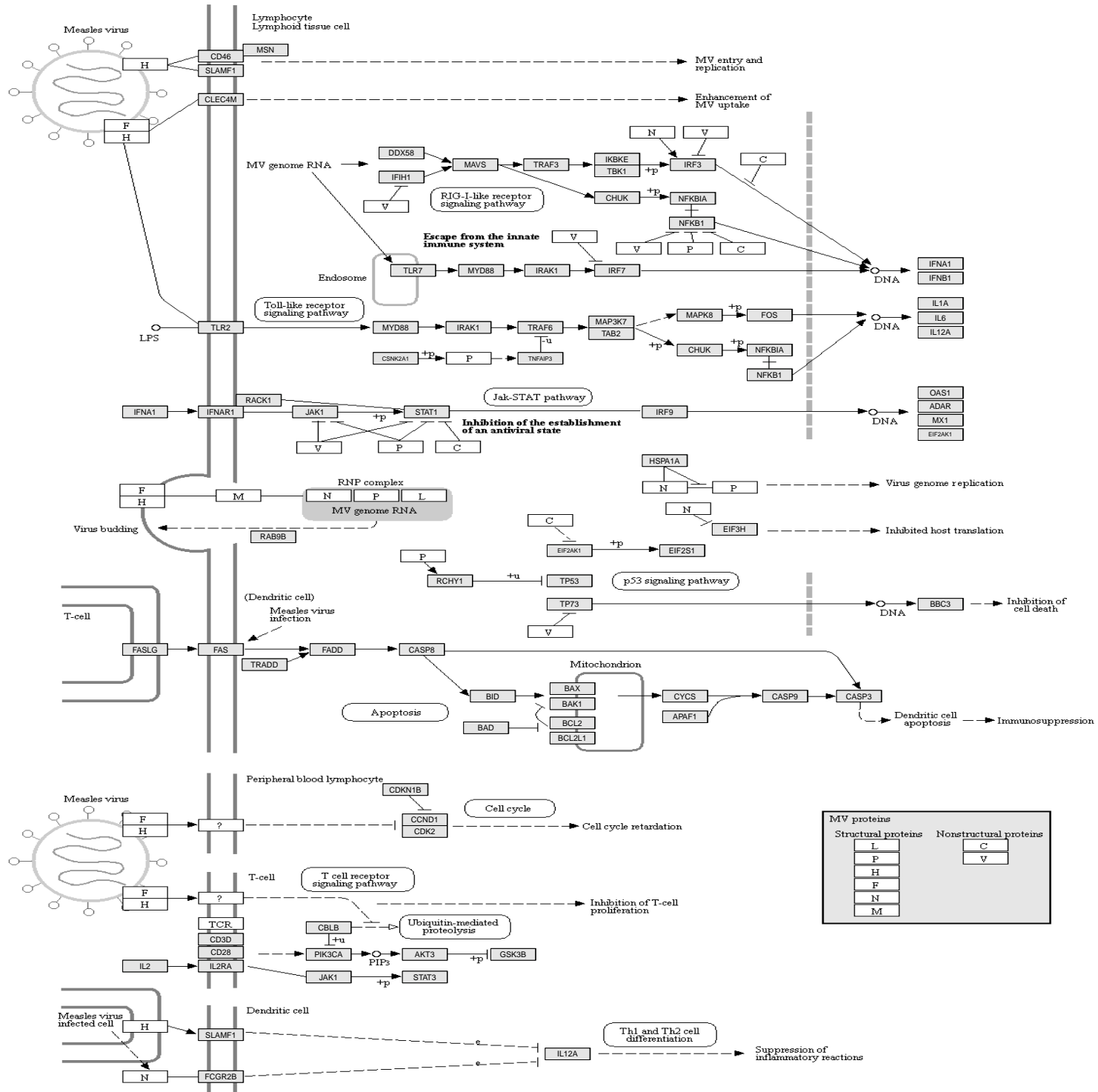


sink node genes



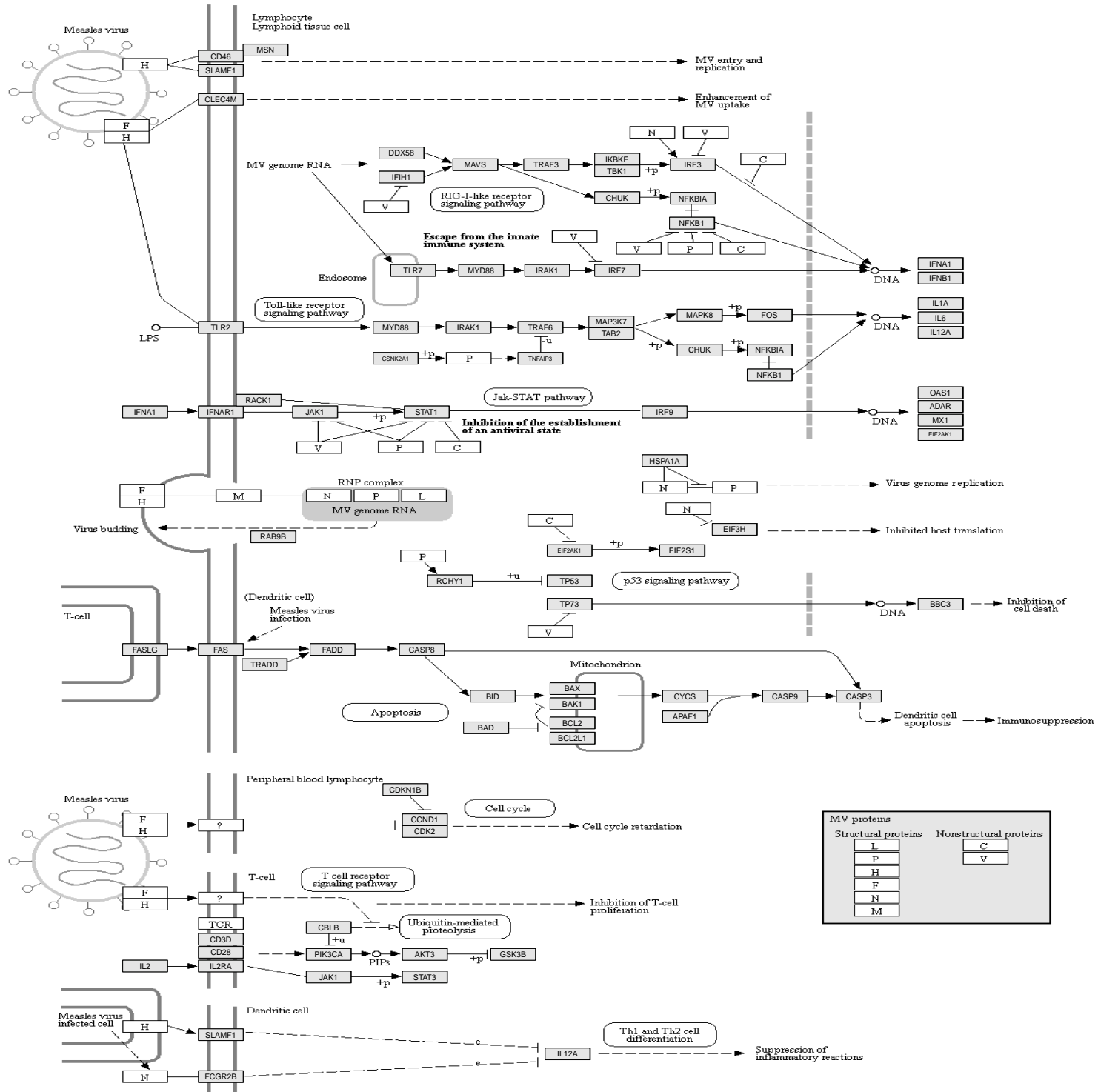


Measles sink nodes

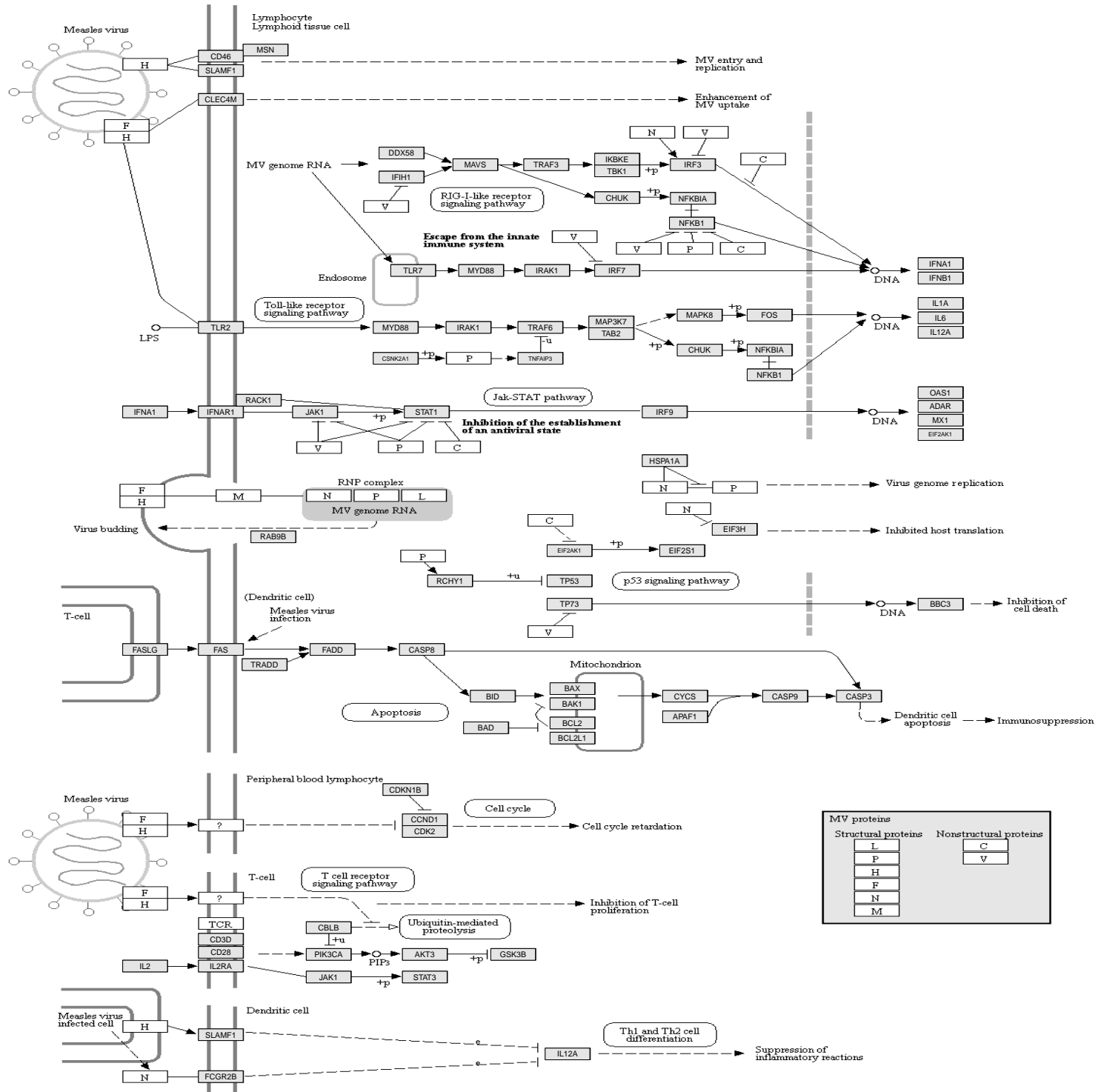


MV proteins	
Structural proteins	Nonstructural proteins
L	C
P	V
H	
F	
N	
M	

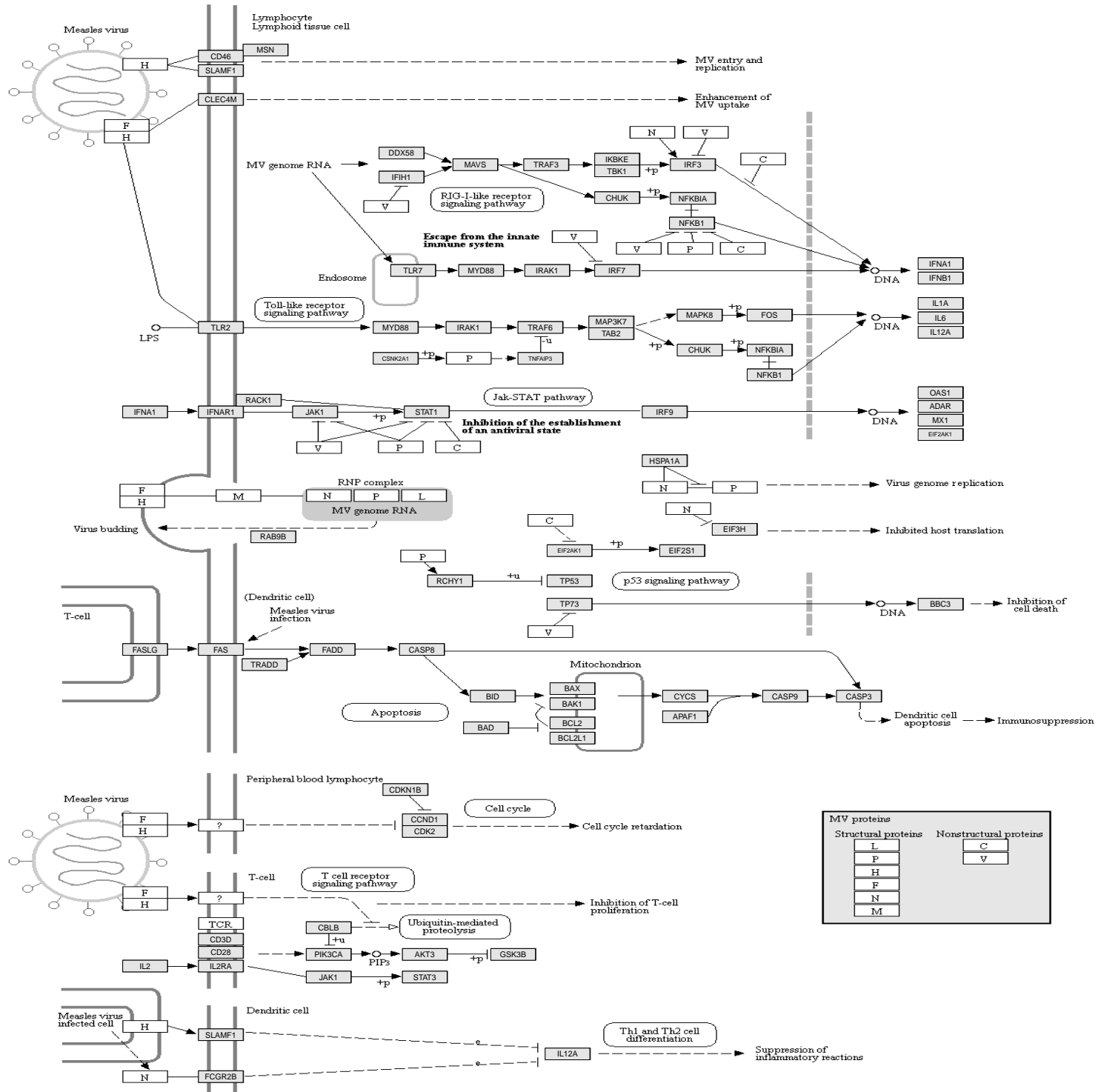
Measles group 1



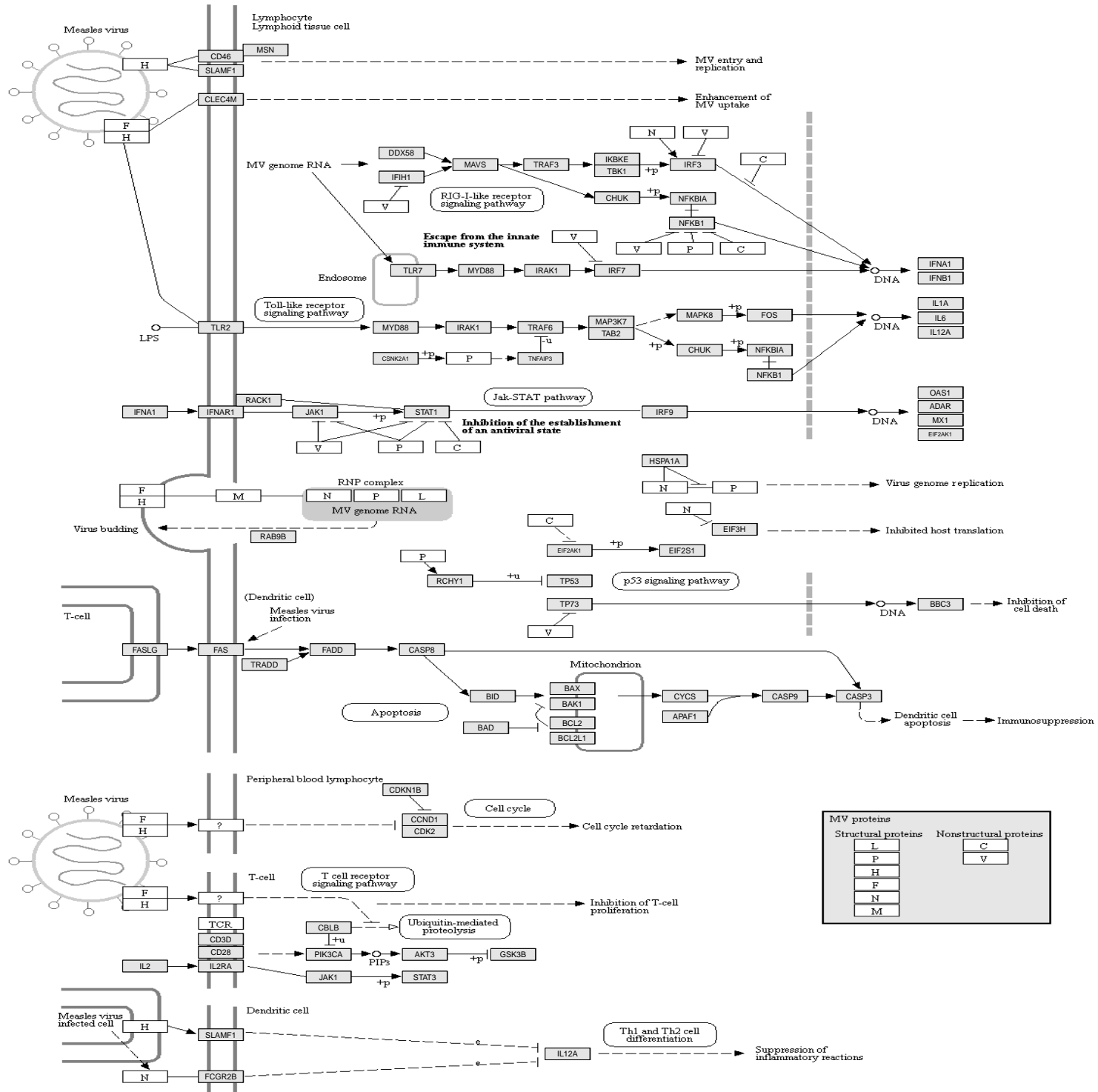
Measles group 2



Measles group 3

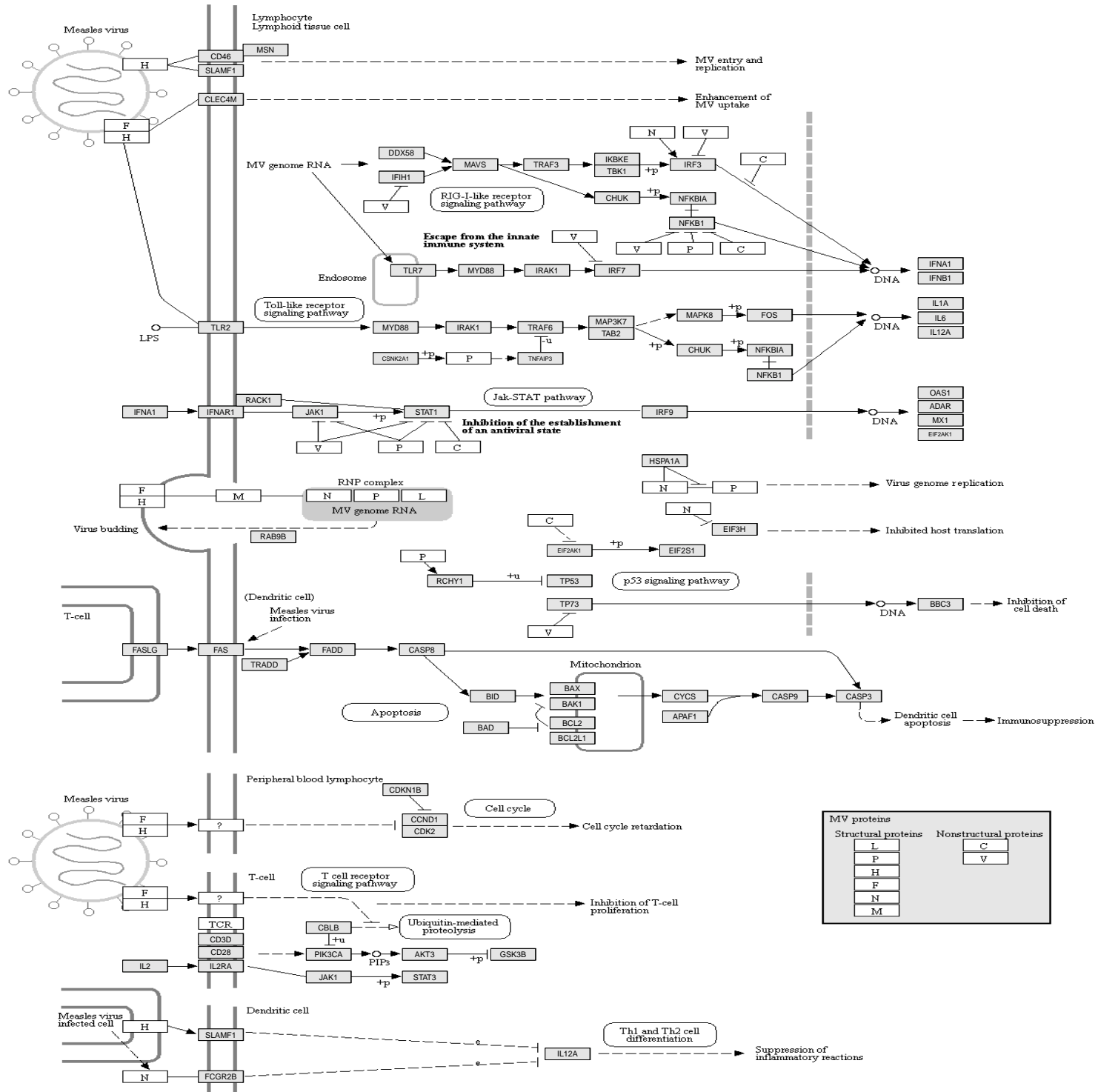


Measles group 4

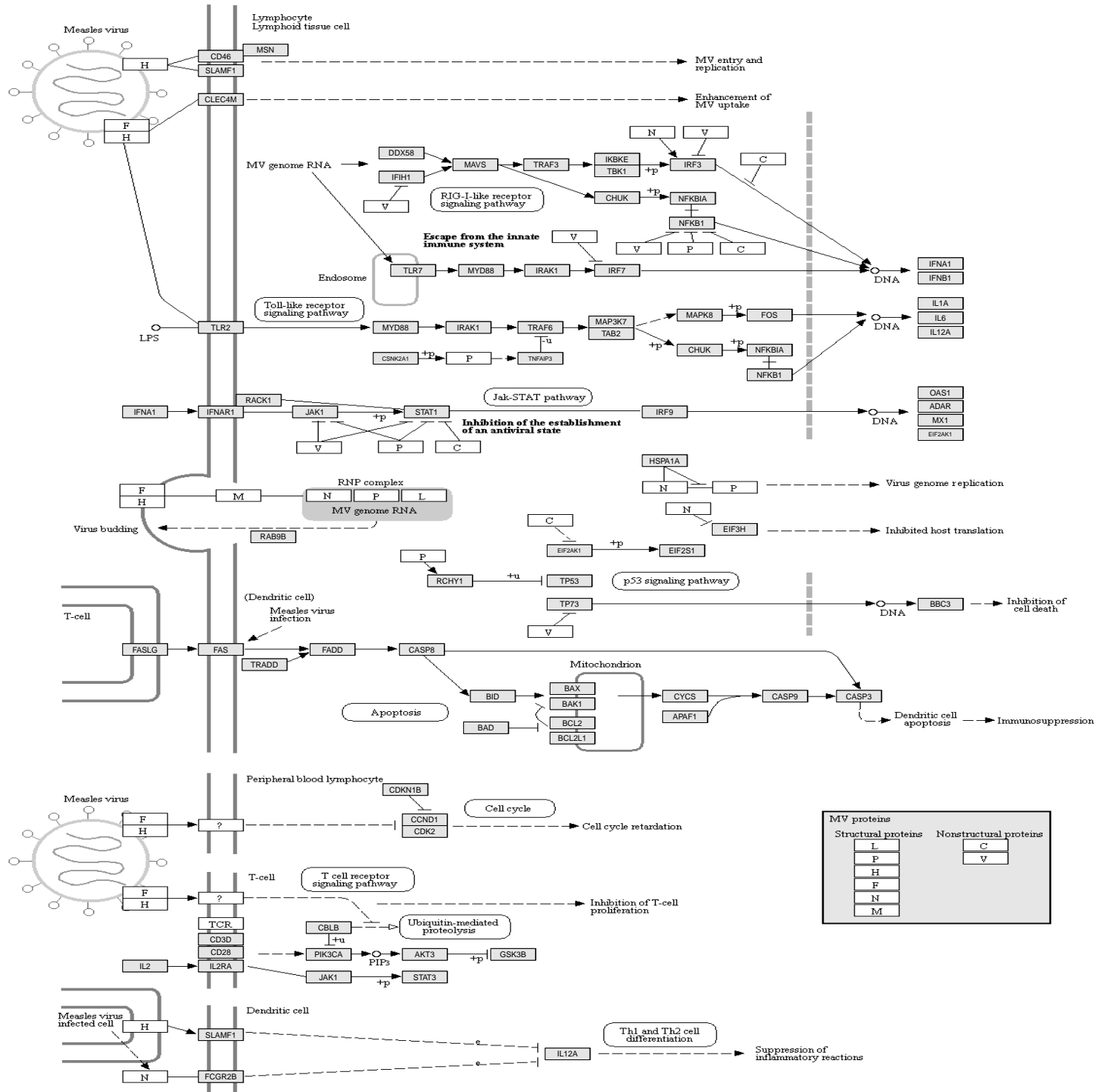


MV proteins	
Structural proteins	Nonstructural proteins
L	C
P	V
H	
F	
N	
M	

Measles group 5



Measles group 6



Measles group 7

